

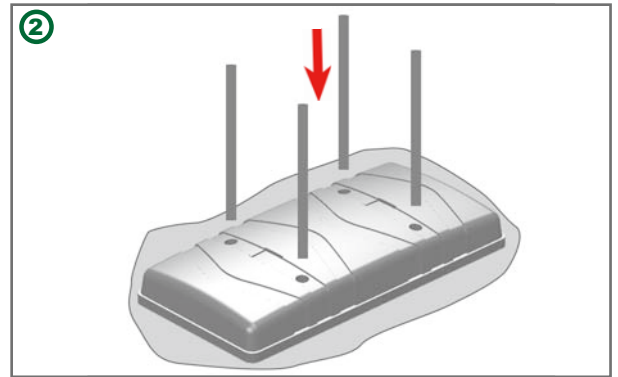
Smart Case To Install



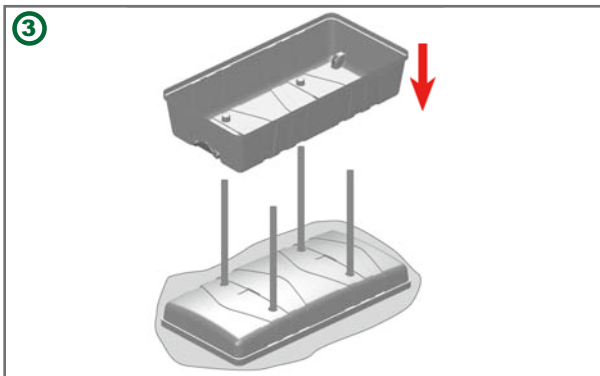
HOW TO INSTALL



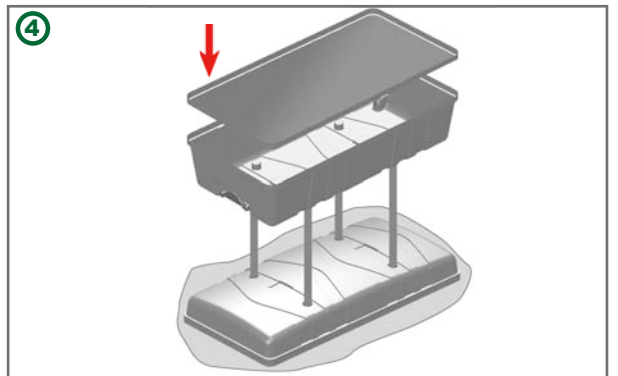
① Unfasten packing string, take apart the shipping case, take out the vertical pipes.



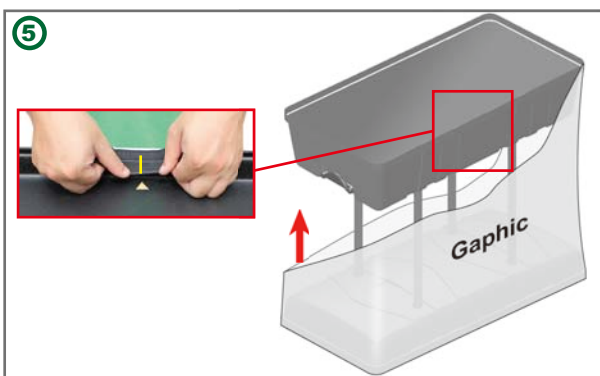
② Put the cap of case in the middle of graphic and install vertical pipes.



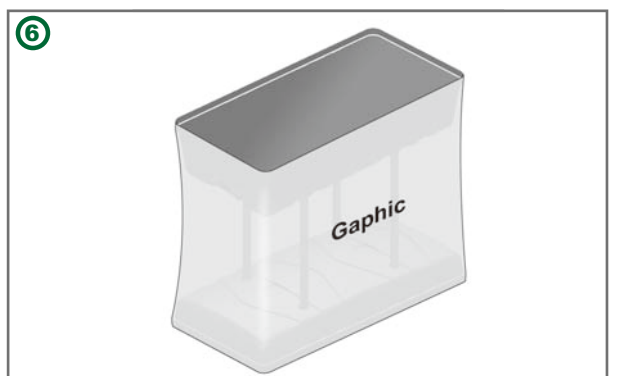
③ Install body of case well with vertical pipes.



④ Put the table top in the case.



⑤ Set up graphic upgrade, pay attention that mark line in graphic should match with the triangle mark in the table top.



⑥ Finish installment.